

C1448, C1848, C2148 Service Parts

This part list contains the service parts for the air cooled, water cooled and remote air cooled C1448, C1848, C2148 ice machines.

To avoid costly and time consuming errors, double check the model and voltage before ordering a part.

The above have been manufactured in several voltages, which are designated by a voltage code at the end of the model number. Codes used included:

- 32 = 208-230/60/1
- 3 = 208-230/60/3
- 6 = 230/50/1
- 63 = 230/380-420/50/3

Note: These abbreviations are used in this list:

- AC = Air Cooled
- WC = Water Cooled
- RC = Remote Cooled
- HGV = Hot Gas Valve
- TXV = Thermostatic Expansion Valve
- Volt = Voltage
- Sol Vlv = Solenoid Valve
- Hdwe = Hardware

Table of Contents

| | |
|--|---------|
| Cabinet | Page 2 |
| Interior Parts | Page 3 |
| Evaporator Compartment | Page 4 |
| Air Cooled Refrigeration System | Page 5 |
| Air Cooled Mechanical & Electrical | Page 6 |
| Water Cooled Refrigeration System | Page 7 |
| Remote Refrigeration System | Page 8 |
| Electrical & Control Box - 3, -6, -32 | Page 9 |
| Electrical & Control Box, 400 volt, 50 Hz. 3 phase w/neutral (-63) | Page 10 |
| Compressors | Page 11 |
| Compressor Mounting Hardware | Page 11 |
| Crankcase Heaters | Page 11 |
| Remote Condenser, ERC311 and ERC611 | Page 12 |

Scotsman

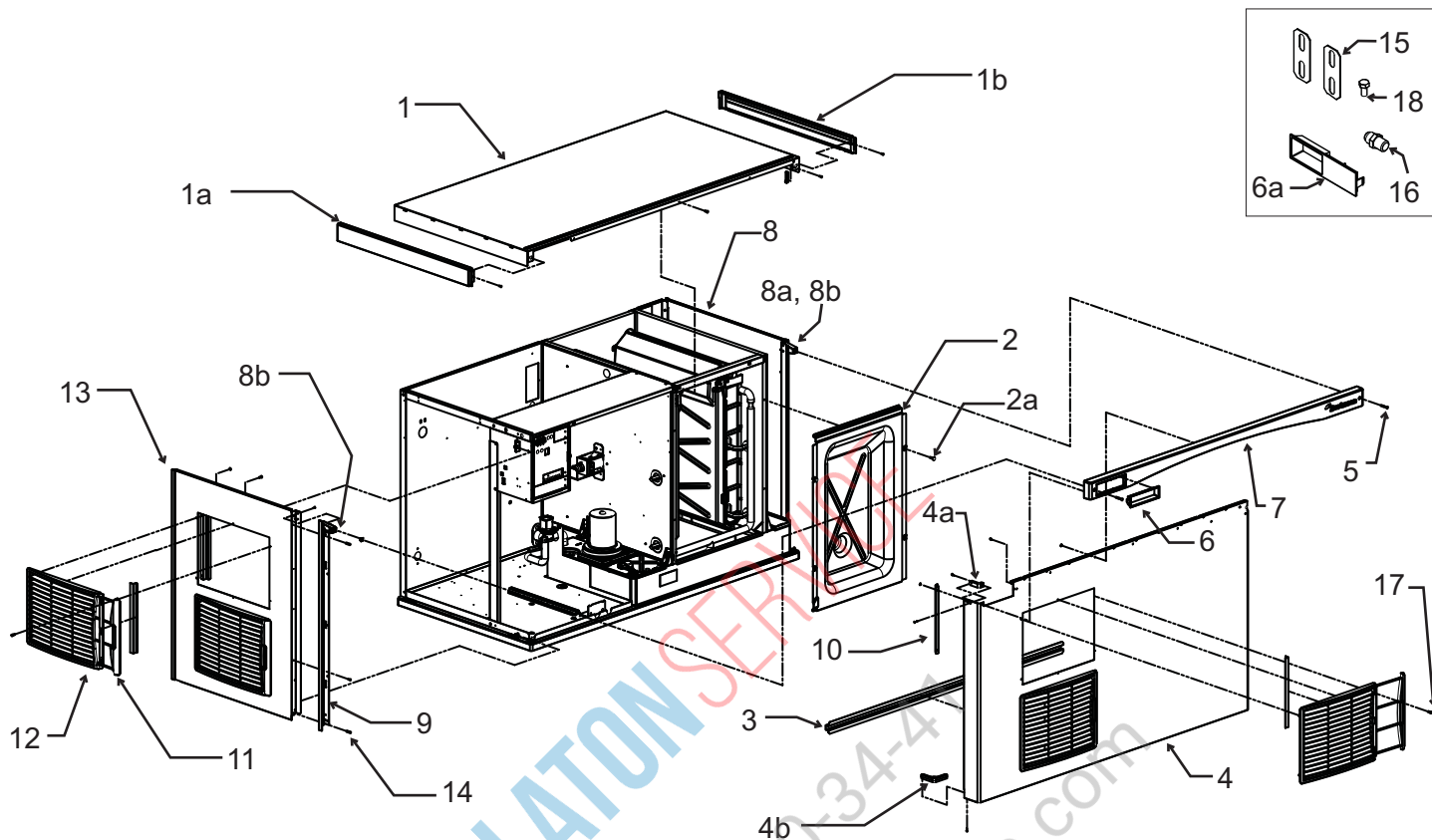
800-533-6006

www.scotsman-ice.com

17-3140-03

C1448, C1848, C2148 Service Parts

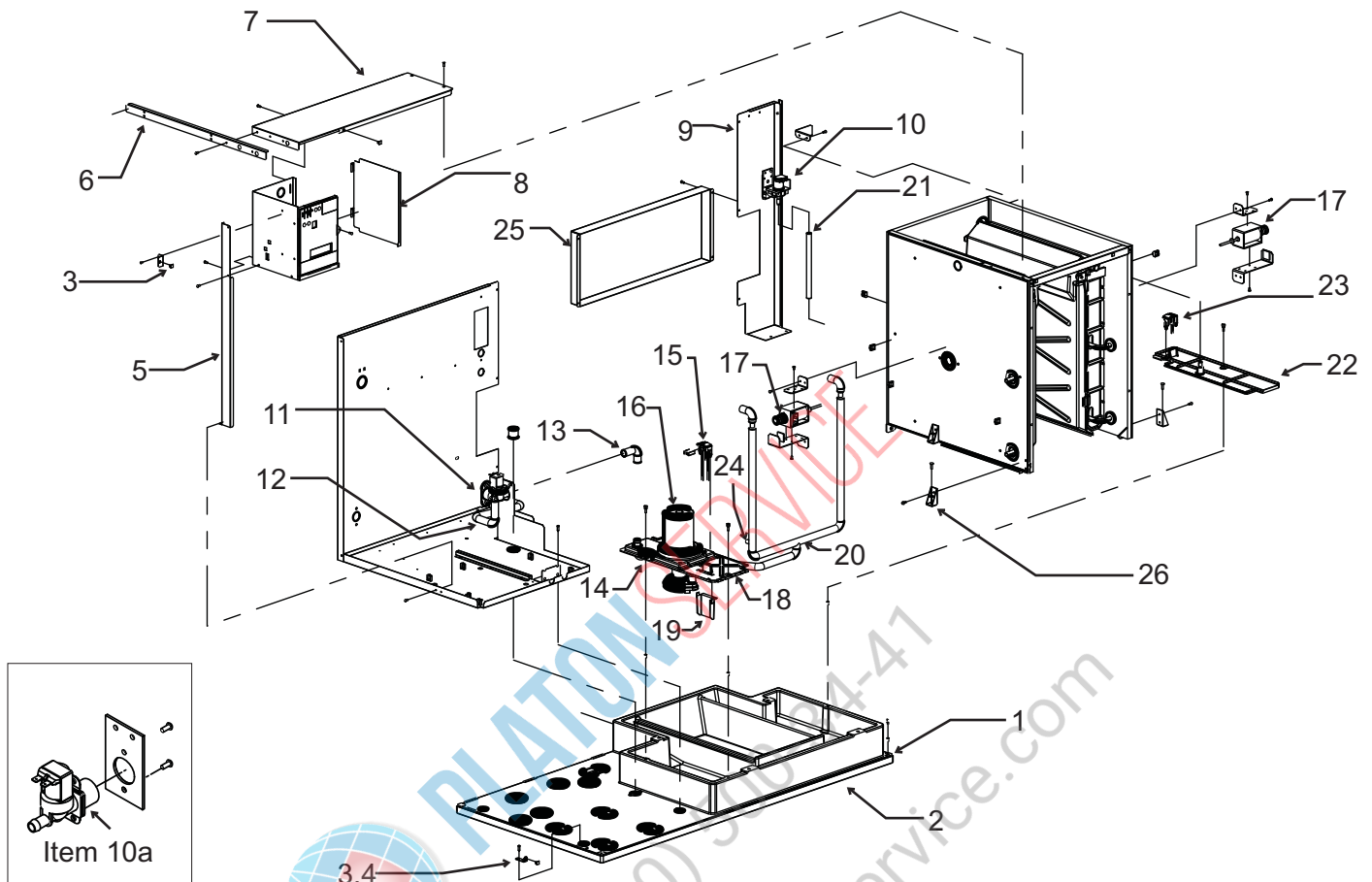
Cabinet



| Item Number | Part Number | Description |
|-------------|-------------|--|
| 1 | A38941-023 | Top panel, w/trim strips |
| 1a | 02-4221-01 | Left trim strip |
| 1b | 02-4221-02 | Right trim strip |
| 2 | 02-4184-01 | Evaporator cover |
| 2a | 03-0727-05 | Screw |
| 3 | A39045-001 | Front panel stiffener |
| 4 | A38552-025 | AC Front panel assembly, includes filters, trim strip, gussets and labels. |
| | A38552-024 | WC, or RC front panel assembly, includes trim strip, gussets and labels |
| 4a | 02-4216-01 | Top gusset |
| 4b | 02-4217-01 | Bottom gusset |
| 5 | 03-1735-03 | Screw, front panel |
| 6 | 02-4284-01 | Bezel, full window |
| 6a | 02-4284-02 | Bezel, partial window |
| 7 | 02-4214-03 | Trim strip |
| 8 | A38553-022 | Right side panel assy |
| 8a | 02-4215-01 | Receptacle |
| 8b | 03-3804-01 | Screw receptacle |
| 9 | 02-4067-03 | Side panel support for water cooled and remote models |
| | 02-4067-04 | Side panel support for air cooled models |
| 10 | A39222-001 | Filter guide |
| 11 | 02-4212-01 | Air filter |
| 12 | 02-4224-01 | Louver panel |
| 12a | A39238-001 | Louver bracket |
| 13 | A38551-023 | Left side panel, AC |
| | A38551-024 | Left side panel WC, RC |
| 14 | 03-1404-12 | Screw |
| 15 | A30911-015 | Machine straps |
| 16 | 16-0355-00 | Inlet water fitting, flare |
| 17 | 03-1419-17 | Flat head screw |
| 18 | 03-1405-15 | Screw |

C1448, C1848, C2148 Service Parts

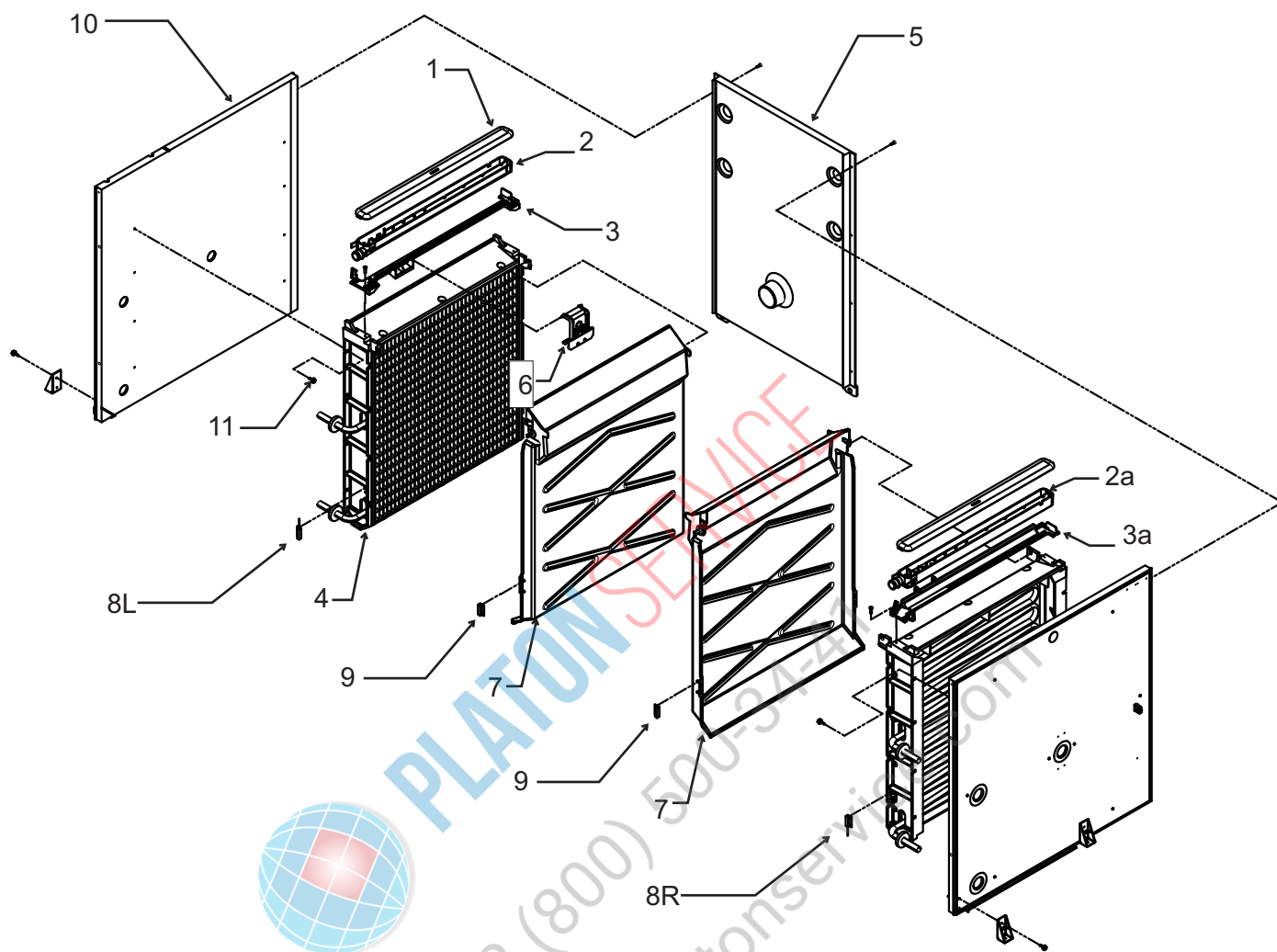
Interior Parts



| Item Number | Part Number | Description | Item Number | Part Number | Description |
|-------------|-------------|-------------------------------|-------------|-------------|---|
| 1 | 15-0411-00 | Strike | 15 | A39030-021 | Water level sensor WLS harness, see page 9 |
| 2 | no number | Base, insulated | 16 | 12-2920-22 | Water pump |
| 3 | 03-3804-01 | Receptacle | 17 | 12-2934-22 | Harvest assist solenoid |
| 4 | A38732-001 | Side panel mount | 18 | 02-4178-01 | Reservoir cover |
| 5 | A38629-001 | Strut | 19 | 02-4332-01 | Sensor cover |
| 6 | A38582-001 | Brace | 20 | 02-4182-01 | Pump hose |
| 7 | A39281-001 | Control box top | 21 | 13-0674-02 | Fill hose order by ft (18") |
| 8 | A38537-001 | Control box side | | 15-0821-01 | Fill hose, -6 CE models |
| 9 | A38680-001 | Right back panel | 22 | 02-4175-01 | Rt side res cover |
| 10 | 12-2922-02 | Inlet water sol vlv, 230 volt | 23 | A39030-022 | Level sensor |
| | 12-2912-01 | Water valve rebuild kit | 24 | 11-0572-21 | Temp probe assy |
| 10a | 11-0568-02 | Inlet water sol vlv, CE mod | 25 | A38681-001 | Chase cover |
| 11 | 11-0564-02 | Purge valve, 230 volt | 26 | 02-4152-01 | Gusset |
| 12 | A38862-002 | Drain tube | | | |
| 13 | A38862-001 | Drain hose | | | |
| 14 | 02-4177-01 | Water pump bracket | | | |

C1448, C1848, C2148 Service Parts

Evaporator Compartment



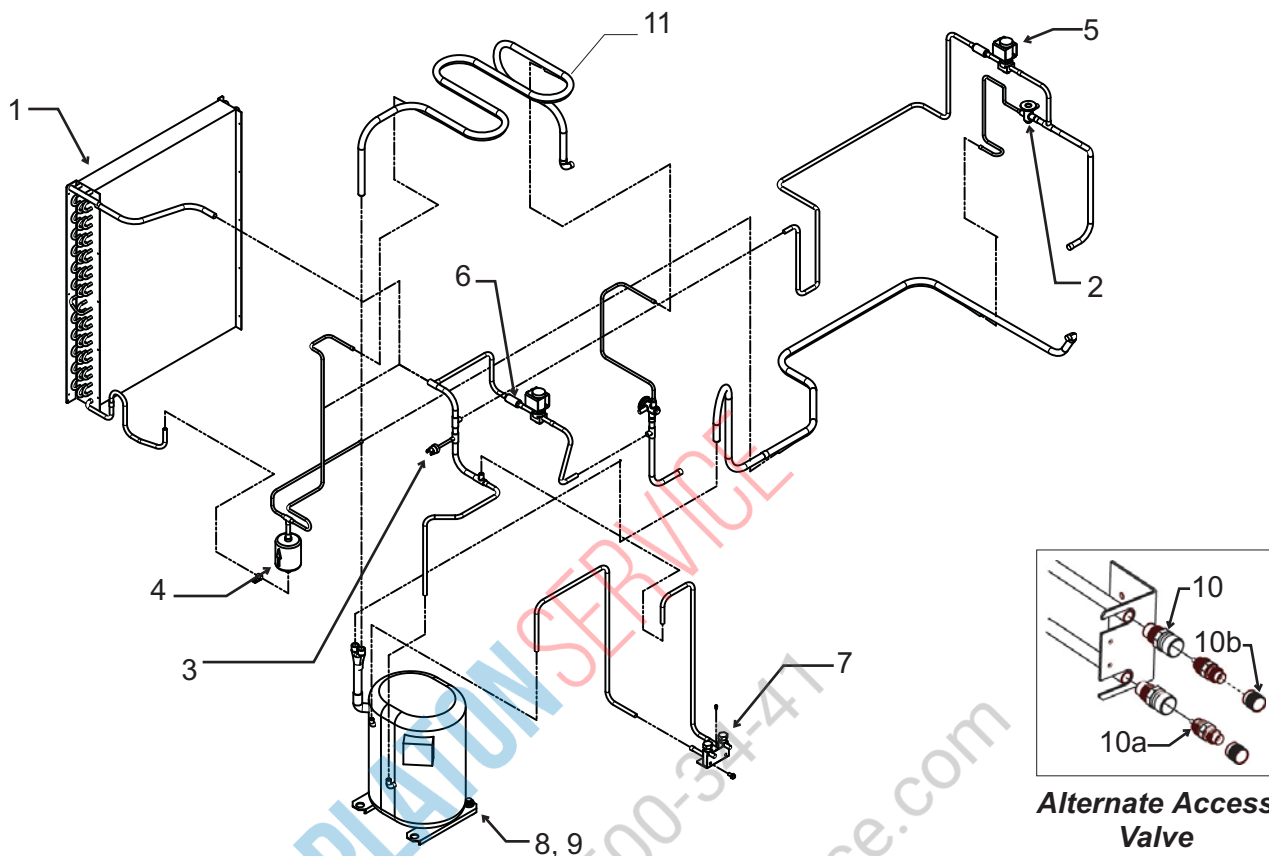
| Item Number | Part Number | Description |
|-------------|-------------|--------------------------|
| 1 | 02-4065-01 | Water distributor cover |
| 2 | 02-4064-01 | Water distributor, left |
| 2a | 02-4064-02 | Water distributor, right |
| 3 | 02-4205-01 | Mounting bracket, left |
| 3a | 02-4205-02 | Mounting bracket, right |
| 4 | see table | Evaporator |
| 5 | A38677-001 | Back wall |
| 6 | A39031-021 | Ice thickness sensor |
| 7 | 02-4100-23 | Curtain |
| 8L | 11-0563-06 | Curtain switch, left |
| 8R | 11-0563-03 | Curtain switch, right |
| 9 | 11-0563-02 | Curtain switch magnet |
| 10 | 13-0943-01 | Gasket tape |
| 11 | 03-3868-01 | Screw |

Note: Item 7 includes item 9, shipped loose.

| | small cube | medium cube |
|-------|------------|-------------|
| Right | A38628-023 | A38628-024 |
| Left | A38628-021 | A38628-022 |

C1448, C1848, C2148 Service Parts

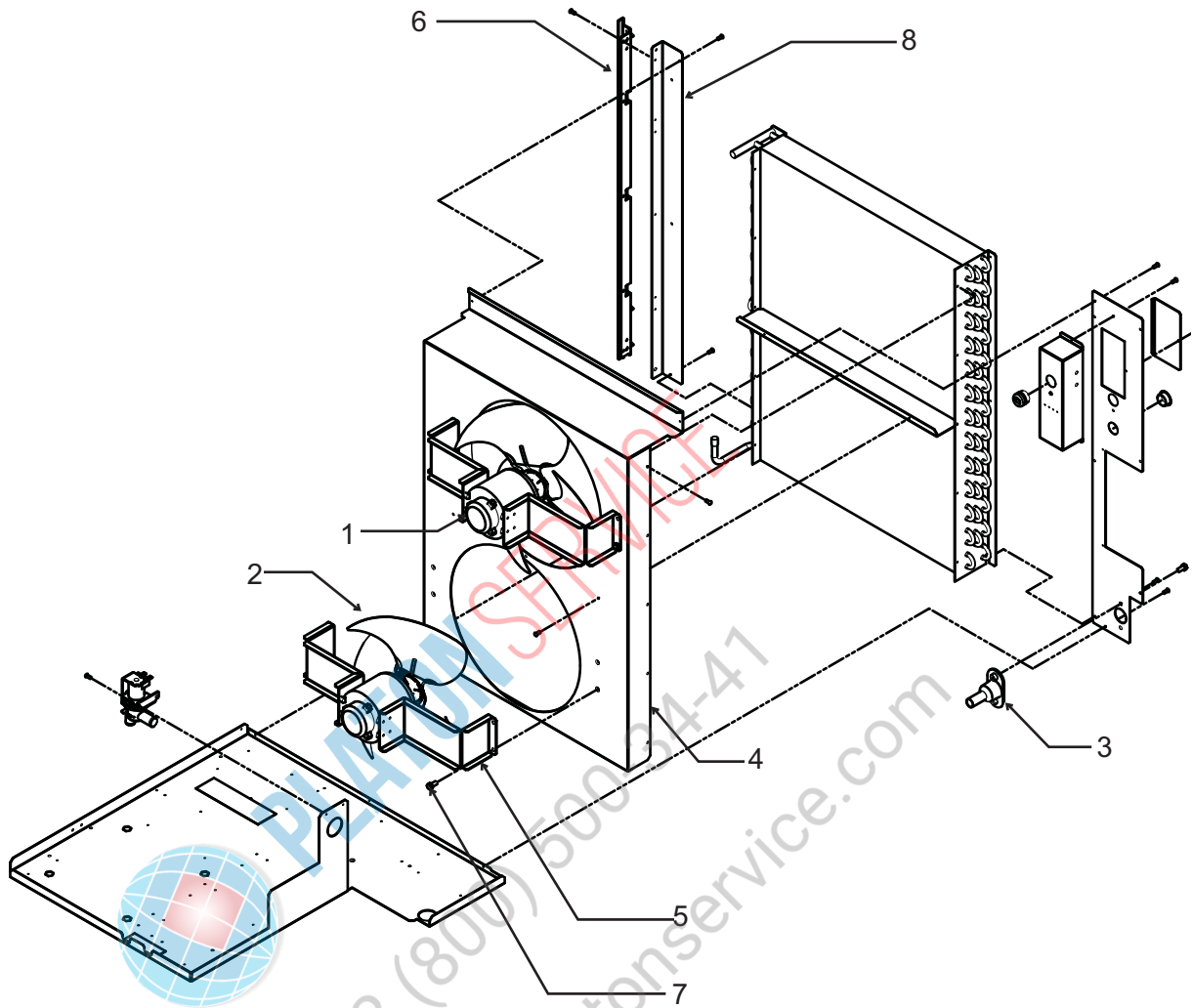
Air Cooled Refrigeration System



| Item Number | Part Number | Description | Alternate Access Valve, use began 4/08 |
|-------------|-------------|-------------------------|---|
| 1 | 18-8892-01 | Condenser, AC | 10 16-1137-01 Valve body |
| 2 | 16-1130-01 | TXV | 10a 16-1139-01 Core |
| | 02-4045-01 | Insulation Danfoss TXV | 10b 16-1140-01 Cap |
| 3 | 11-0566-22 | Fan cycle pressure sw. | 11 A38736-001 Left suction line heat ex |
| 4 | 02-3319-02 | Dryer | |
| 5 | 11-0493-01 | Hot gas valve, 230 volt | |
| | 12-2719-22 | 230 volt coil | |
| | 12-2733-30 | HGV rebuild kit | |
| 6 | 16-1063-01 | Strainer | |
| 7 | 16-0832-20 | Access valve | |
| | 16-0832-03 | Port cap | |
| | 16-0832-02 | Stem cap | |
| 8 | see page 10 | Compressors | |
| 9 | see page 10 | Compressor mounting hdw | |

C1448, C1848, C2148 Service Parts

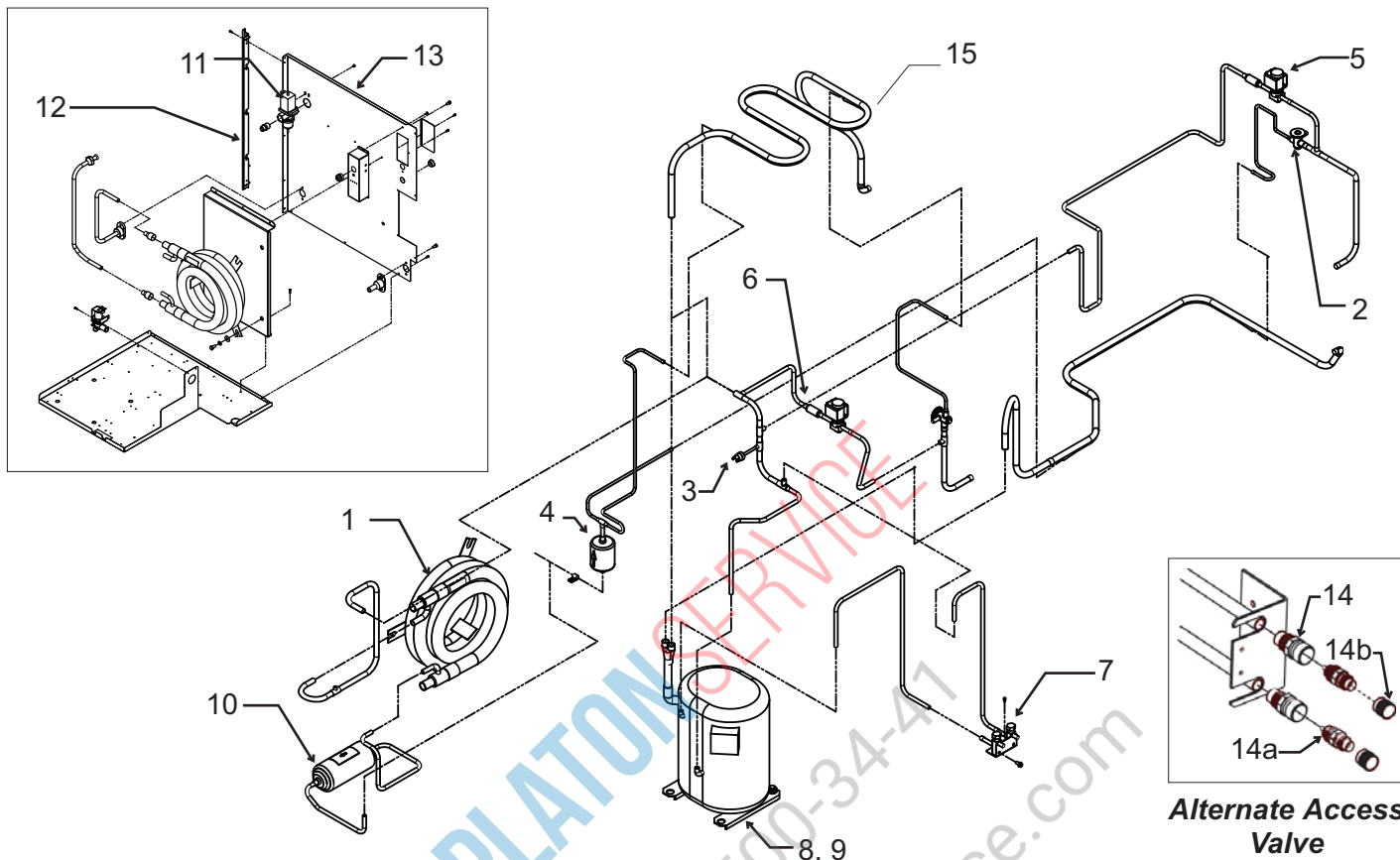
Air Cooled Mechanical & Electrical



| Item Number | Part Number | Description |
|-------------|-------------|------------------------------------|
| 1 | 18-8927-01 | Fan motor |
| 2 | 18-8882-01 | Fan blade |
| 3 | 02-3692-21 | Drain adapter - also for WC and RC |
| 4 | A38682-001 | Fan shroud |
| 5 | A38554-001 | Fan motor bracket |
| 6 | 02-4067-04 | Side panel support - AC |
| 7 | 03-1645-01 | Screw |
| 8 | A38741-001 | AC bracket |

C1448, C1848, C2148 Service Parts

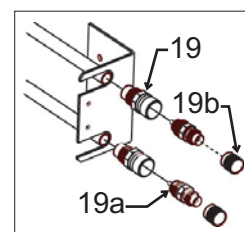
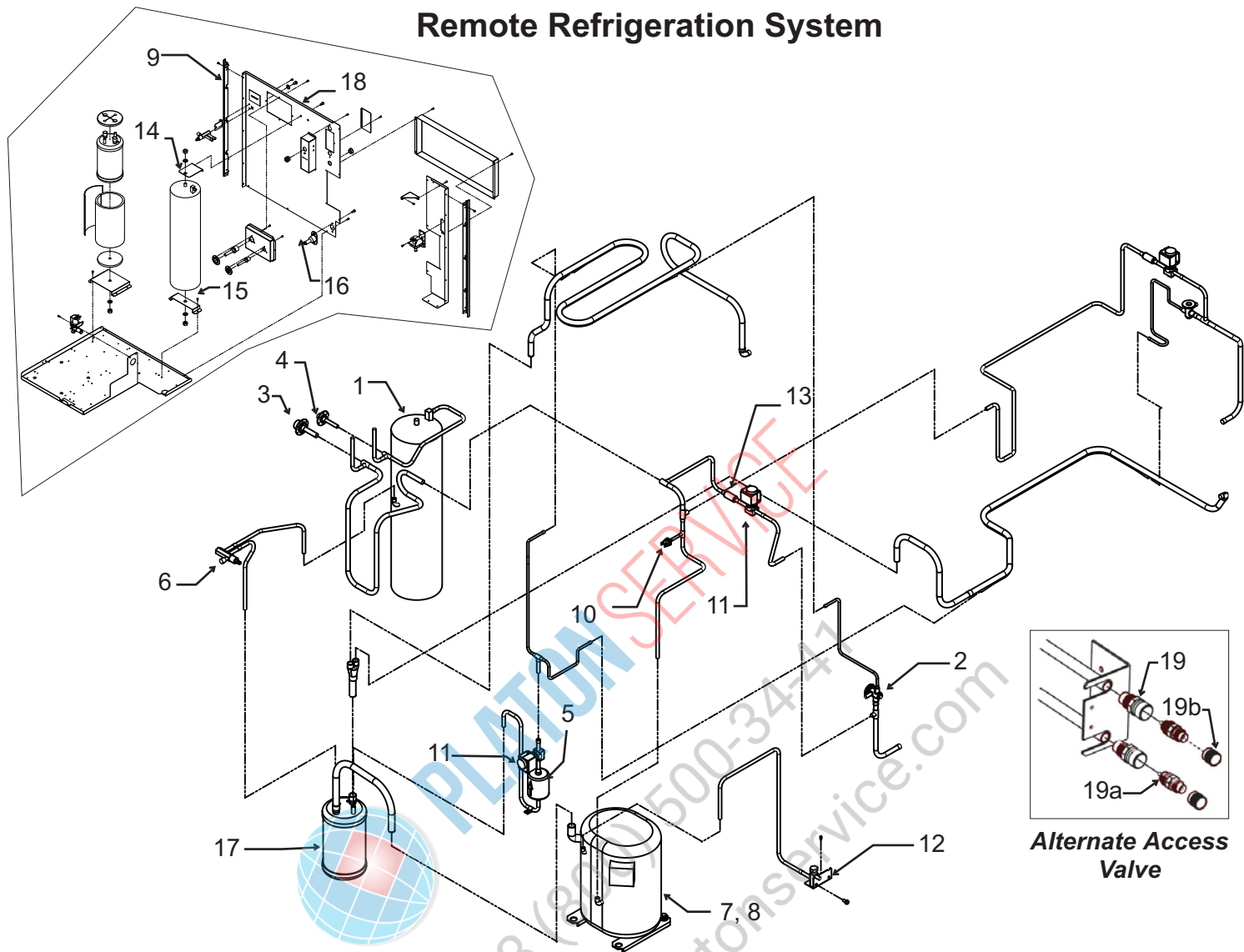
Water Cooled Refrigeration System



| Item Number | Part Number | Description | Part Number | Description |
|-------------|-------------|----------------------------|-------------|--|
| | | | 11 | 11-0478-01 Water regulating valve, |
| 1 | 18-8865-21 | Condenser, WC C1448. C1848 | | C1448W, C1848W |
| | 18-8931-21 | Condenser, WC C2148 | | 11-0478-02 Water regulating valve C2148W |
| 2 | 16-1130-01 | TXV | 12 | 02-4067-03 Side support |
| | 02-4045-01 | insulation Danfoss TXV | 13 | A38606-001 Back panel, WC |
| 3 | 11-0501-21 | High pressure sw. | | Alternate Access Valve, use began 4/08 |
| 4 | 02-3319-02 | Dryer | 14 | 16-1137-01 Valve body |
| 5 | 11-0493-01 | Hot gas valve, 230 volt | 14a | 16-1139-01 Core |
| | 12-2719-22 | 230 volt coil | 14b | 16-1140-01 Cap |
| | 12-2733-30 | HGV rebuild kit | 15 | A38736-001 Left suction line heat ex |
| 6 | 16-1063-01 | Strainer | | |
| 7 | 16-0832-20 | Access valve | | |
| | 16-0832-03 | Port cap | | |
| | 16-0832-02 | Stem cap | | |
| 8 | see page 10 | Compressors | | |
| 9 | see page 10 | Compressor mounting hdw | | |
| 10 | 02-2628-02 | Receiver | | |

C1448, C1848, C2148 Service Parts

Remote Refrigeration System

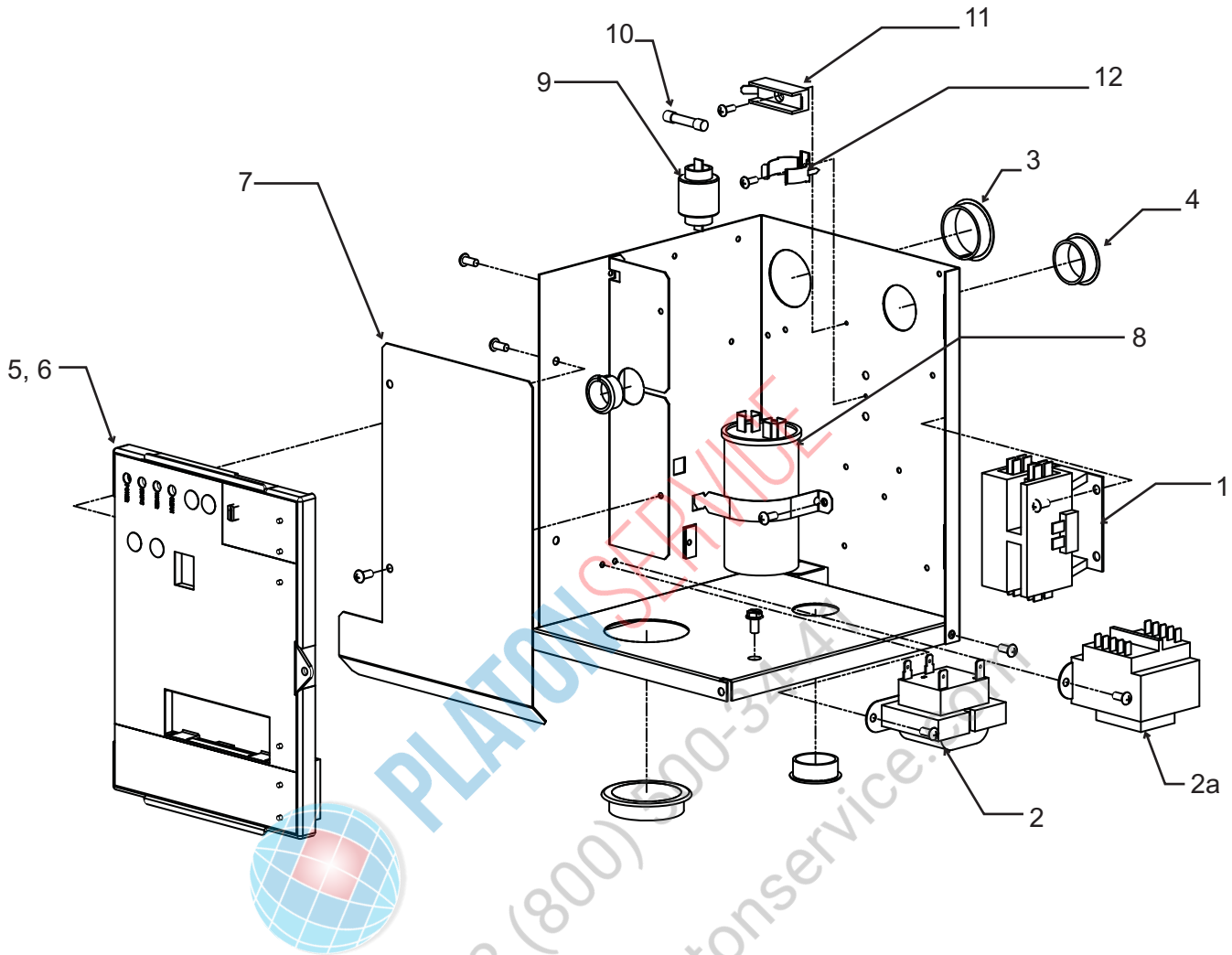


Alternate Access Valve

| Item Number | Part Number | Description | Part Number | Description |
|-------------|-------------|--------------------------|--|--|
| | | | 11 | 11-0493-01 Liquid line valve or HG, 230 volt |
| 1 | 16-1026-01 | Receiver | 12 | 16-0832-20 Access valve |
| 2 | 16-1130-01 | TXV | | 16-0832-03 Port cap |
| | 02-4045-01 | insulation Danfoss TXV | | 16-0832-02 Stem cap |
| 3 | 16-0850-01 | Discharge quick connect | 13 | 16-1063-01 Strainer |
| 4 | 16-0850-03 | Liquid quick connect | 14 | A37211-001 Top receiver bracket |
| 5 | 02-3319-02 | Drier | 15 | A37212-001 Bottom receiver bracket |
| 6 | 16-1030-01 | Liquid line access valve | 16 | 02-3692-21 Drain adapter |
| 7 | see page 10 | Compressors | 17 | 16-1122-21 Accumulator, kit w/insulation |
| 8 | see page 10 | Compressor mounting hdw | 18 | A38679-001 Back panel, remote |
| 8a | see page 10 | Crankcase heater | Alternate Access Valve, use began 4/08 | |
| 9 | 02-4067-03 | Side panel support, | 19 | 16-1137-01 Valve body |
| 10 | 11-0501-22 | High pressure cut out | 19a | 16-1139-01 Core |
| | | | 19b | 16-1140-01 Cap |

C1448, C1848, C2148 Service Parts

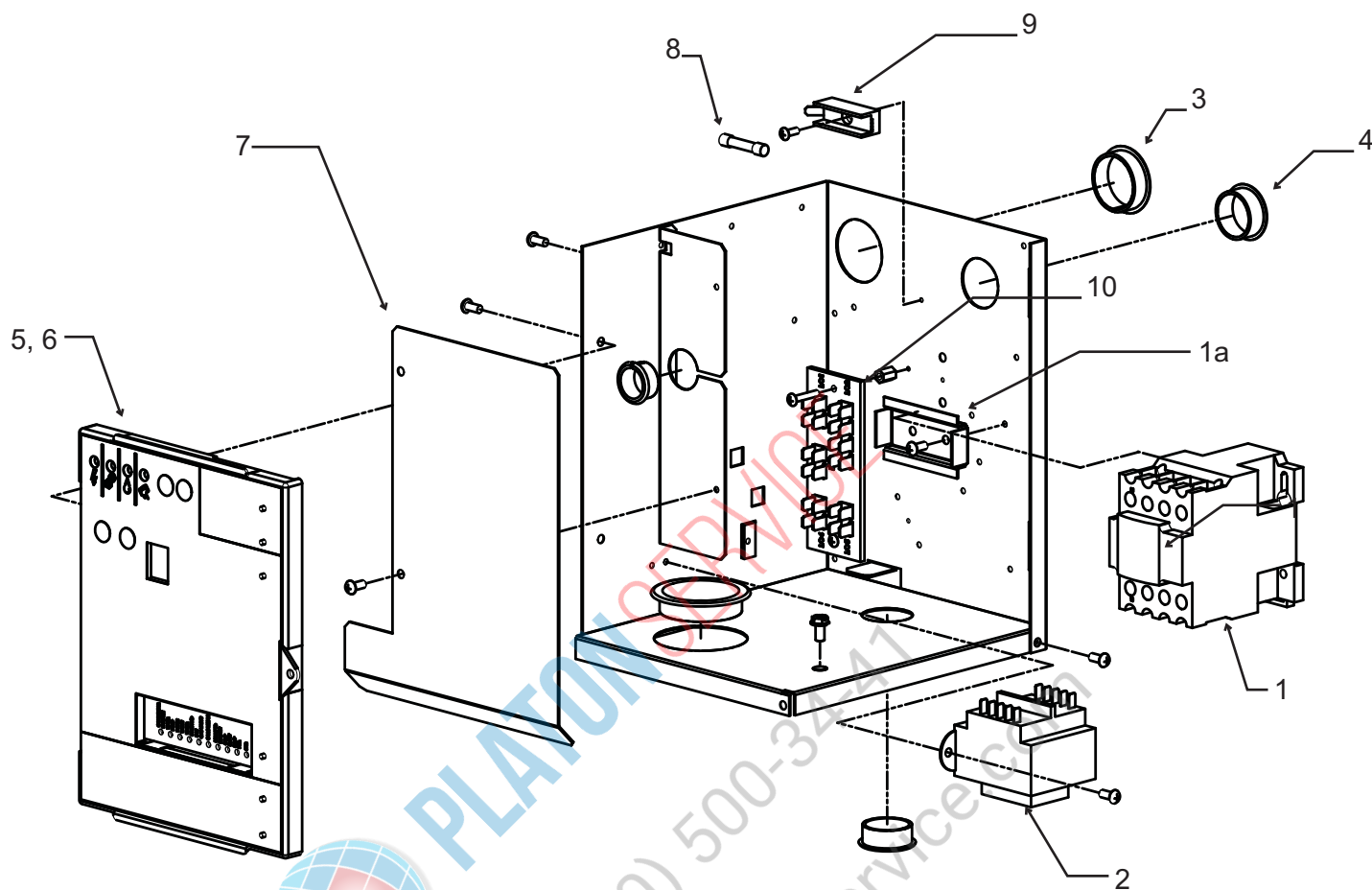
Electrical & Control Box - 3, -6, -32



| Item Number | Part Number | Description | Item Number | Part Number | Description |
|-------------|---------------|---|--|-------------|----------------------------|
| | | | 10 | 12-2686-01 | Fuse, 50 Hz only |
| | | | 11 | 12-2687-01 | Fuse holder |
| 1 | 12-2469-02 | Contactor, 230, single ph | 12 | 18-8840-02 | Bracket |
| | 12-2533-01 | Contactor, three phase | Wiring Harnesses (not illustrated) | | |
| 2 | 12-2924-02 | Transformer, 230 volt | 13 | 12-2931-01 | Power harness, A & W |
| 2a | 12-2639-01 | Transformer, 50 Hz | | 12-2931-02 | Power harness, Remote |
| 3 | 12-1213-11 | Snap bushing | Power harness connects to J1 on controller | | |
| 4 | 12-1213-15 | Snap bushing | 14 | 12-2937-01 | Hi voltage harness, A & W |
| 5 | 11-0550-24 | Service controller, fits all Prodigy cubers | | 12-2938-01 | Hi voltage harness, Rem |
| 6 | 02-4076-01 | Control box door | | 12-2944-01 | Hi voltage, 50 Hz A & W |
| | 02-4189-01 | Overlay label | | 12-2944-02 | Hi voltage, 50 Hz, Rem |
| 7 | A39216-001 | Barrier | Hi voltage harness has the 8 pin connector | | |
| 8 | see next page | Run capacitor | 15 | 12-2928-02 | Water level sensor harness |
| 9 | see next page | PTCR - | | | |

C1448, C1848, C2148 Service Parts

Electrical & Control Box, 400 volt, 50 Hz. 3 phase w/neutral (-63)



| Item Number | Part Number | Description | Wiring Harnesses (not illustrated) | | |
|-------------|-------------|---|------------------------------------|------------|--|
| 1 | 12-3010-01 | Contactors, 400 v 3 ph. | 11 | 12-2944-02 | Hi voltage, 50 Hz, Rem |
| 1a | A39511-001 | Bracket | | | Hi voltage harness has the 8 pin connector |
| 2 | 12-2639-01 | Transformer, 50 Hz | 12 | 12-2928-02 | Water level sensor harness |
| 3 | 12-1213-11 | Snap bushing | | | |
| 4 | 12-1213-15 | Snap bushing | | | |
| 5 | 11-0550-24 | Service controller, fits all Prodigy cubers | | | |
| 6 | 02-4076-01 | Control box door | | | |
| | 02-4189-01 | Overlay label | | | |
| 7 | A39216-001 | Barrier | | | |
| 8 | 12-2686-01 | Fuse, 50 Hz only | | | |
| 9 | 12-2687-01 | Fuse holder | | | |
| 10 | A25981-001 | Terminal board | | | |

C1448, C1848, C2148 Service Parts

Compressors

| Model | Electrical | Compressor | Run Capacitor | PTCR |
|---------------|------------------|------------|---------------|------------|
| C1448-32 | 208-230/60/1 | 18-8749-22 | 18-1902-55 | 18-8840-01 |
| C1448-6 | 230/50 | 18-8749-27 | 18-1902-55 | 18-8840-01 |
| C1448-3 | 208-230/60/3 | 18-8749-24 | - | - |
| C1848-32 | 208-230/60/1 | 18-8751-23 | 18-1902-56 | 18-8840-01 |
| C1448-63 | 230/380-420/50/3 | 18-8749-11 | - | - |
| C1848-6 | 230/50 | 18-8751-27 | 18-1902-56 | 18-8840-01 |
| C1848-3 | 208-230/60/3 | 18-8751-25 | - | - |
| C2148-32 - WC | 208-230/60/1 | 18-8930-24 | 18-1902-27 | 18-8840-01 |
| C2148-6 - WC | 230/50 | 18-8930-26 | 18-1902-59 | 18-8840-01 |
| C2148-3 - WC | 208-230/60/3 | 18-8930-25 | - | - |
| C2148-32 - RC | 208-230/60/1 | 18-8923-22 | 18-1902-27 | 18-8840-01 |
| C2148-6 - RC | 230/50 | 18-8923-26 | 18-1902-59 | 18-8840-01 |
| C2148-3 - RC | 208-230/60/3 | 18-8923-23 | - | - |

Compressor Mounting Hardware

| Model | Bolt | Washer | Grommet | Sleeve |
|--------------|------------|------------|------------|------------|
| C1448, C1848 | 03-1420-20 | 03-1407-07 | 18-2300-27 | 18-2300-26 |
| C2148 | 03-1405-20 | 03-1407-07 | 18-2300-27 | 18-2300-26 |

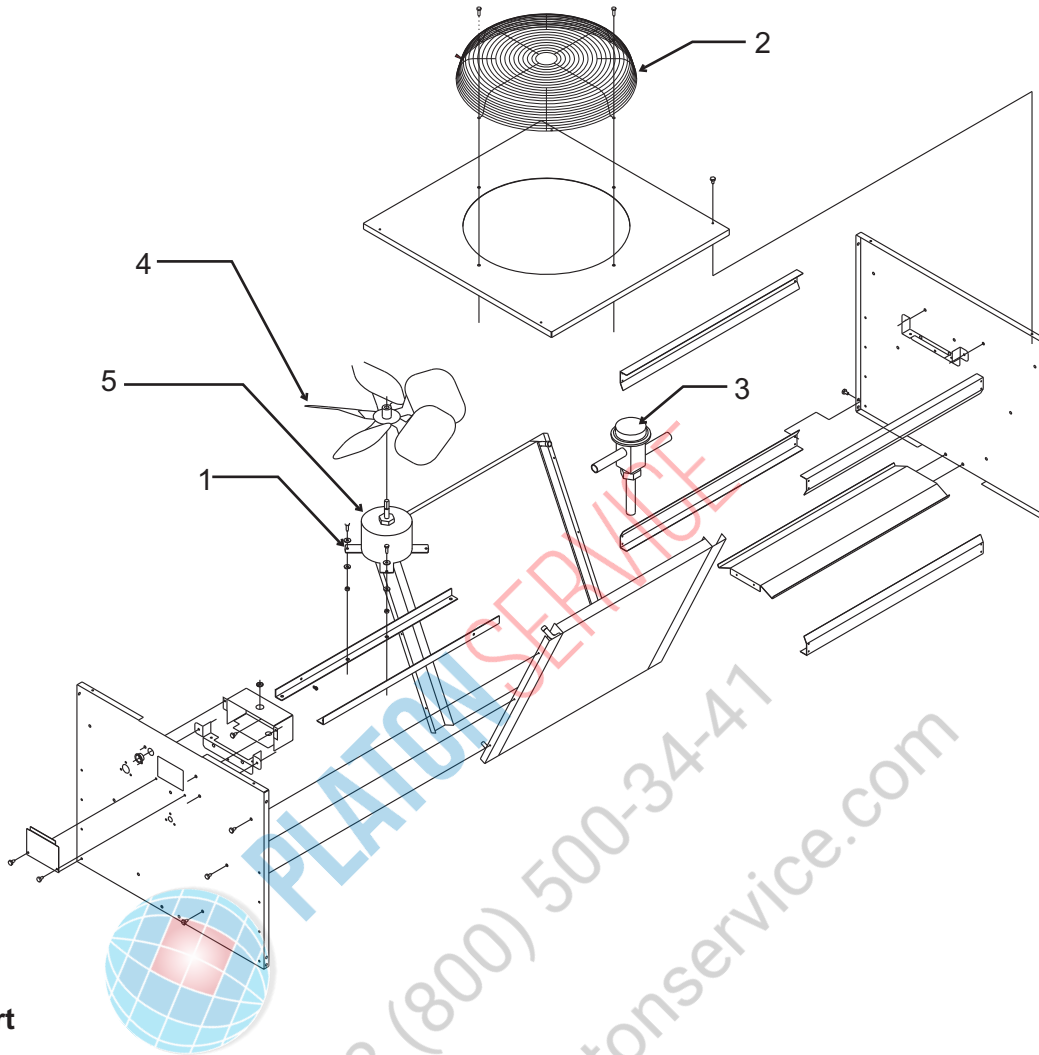
Crankcase Heaters

| Model | Crankcase heater* |
|---------------------------|-------------------|
| C1448R, C1848R, C2148R | 18-2308-01 |

* Included with replacement compressor

C1448, C1848, C2148 Service Parts

Remote Condenser, ERC311 and ERC611



| Item Number | Part Number | Description |
|-------------|-------------|--------------------|
| 1 | 03-1405-08 | Screw |
| 2 | 02-3575-01 | Fan guard |
| 3 | 16-1044-01 | Headmaster |
| 4 | 18-8816-01 | Fan blade - ERC311 |
| | 18-8820-01 | Fan blade - ERC611 |
| 5 | 12-2651-01 | Fan motor - ERC311 |
| | 12-2717-01 | Fan motor - ERC611 |

Not Shown:

| | |
|------------|--------------------------|
| A37169-001 | Leg |
| A37170-001 | Leg brace - ECR311 |
| A37296-001 | Leg brace - ERC611 |
| 03-1645-01 | Screw for legs |
| 16-0850-01 | Quick connect, discharge |
| 16-0850-03 | Quick connect, liquid |